

# LH35 2.0

## Thermal Monocular



Featuring the 3.3x base magnification and a field of view 13 meters @100 meters, the LH35 2.0 is equipped with 384 sensors, a 12-micrometer pixel pitch, and 20 mK high thermal sensitivity detectors. It is designed to elevate the excitement of every hunter, whether in the forest or field, with a remarkable detection range, reaching up to 1800 meters.

### Key Feature

- High sensitivity thermal module NETD < 20 mK (@25°C, F# = 1.0)
- 384 × 288 resolution with 12 μm detector
- 1024 × 768 resolution 0.39-inch OLED display
- Replaceable and rechargeable Li-ion battery
- 338 g lightweight, with a compact and ergonomic design
- Up to 6.5 hours of continuous operation

## •Specification

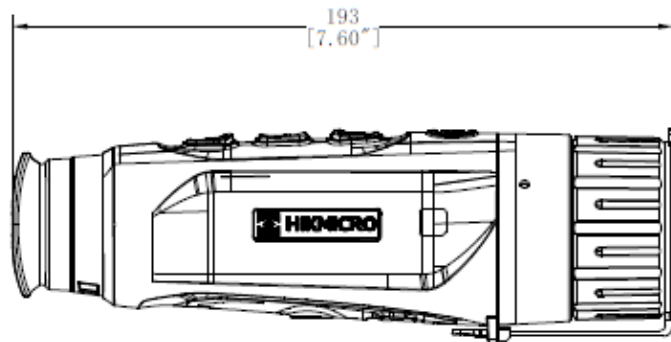
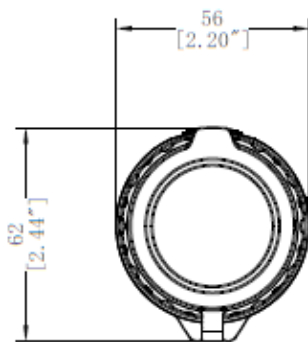
Thermal Module	
Image Sensor	VOx Uncooled Focal Plane Arrays
Max. Resolution	384 × 288
Frame Rate	50 Hz
Pixel Interval	12 μm
Response Waveband	8 μm to 14 μm
NETD	Less than 20 mK (@25°C), F# = 1.0
Lens (Focal Length)	35 mm, f1.0
Focus Mode	Manual Focus
Detection Range	1800 m
Min. Focusing Distance	3.5 m
Magnification	3.3 × to 26.4 × (8 ×)
Field of View(H × V), Degrees / m @100 m	7.5° × 5.7°/13.1 m × 10.0 m
Image Display	
Display	1024 × 768, 0.39 inch, OLED
Palettes	Black Hot, White Hot, Red Hot, Fusion
FFC (Flat Field Correction) Mode	Auto, Manual, External Correction
Exit Pupil	6 mm
Eye Relief	20 mm
Diopter (Range)	-5 D to +3 D
Brightness Adjustment	Yes
Tone Adjustment	Cold, Warm
Contrast Adjustment	Yes
System	
Record Video	Yes
Capture Snapshot	Yes
Audio Recording	Yes
Standby Mode	Yes
Storage	Built-in EMMC (16 GB)
PIP	Yes
Hotspot	Yes
Hot Track	Yes
Distance Measurement	Yes
Power Supply	
Battery Type	Replaceable and Rechargeable Li-ion Battery
Battery Operating Time	6.5-hour continuous running with CVBS and hotspot function off (@25°C)
Type-C Power Supply	5 VDC, 2 A Supports External Power Supply
General	
Protection Level	IP67
Dimension	193.0 mm × 56.0 mm × 62.0 mm

Weight	338 g without battery
Working Temperature	-30°C to +55°C

## •Available Model

HM-TS83-35S1GW-LH35 2.0

## •Dimension



Unit: mm [Inch]

## •Accessories



**Quick Start Guide  
(x1)**



**Non-dust Cloth (x1)**



**USB Cable (x1)**



**Protective Bag (x1)**



**Wrist Strap (x1)**



**Charger (x1)**



**Cell (x2)**

COMPLIANCE NOTICE: The thermal series products might be subject to export controls in various countries or regions, including without limitation, the United States, European Union, United Kingdom and/or other member countries of the Wassenaar Arrangement. Please consult your professional legal or compliance expert or local government authorities for any necessary export license requirements if you intend to transfer, export, re-export the thermal series products between different countries.



 Hikmicro Hunting.Global  HIKMICRO Outdoor  [www.hikmicrotech.com](http://www.hikmicrotech.com)  [hikmicro hunting.global](https://www.instagram.com/hikmicro_hunting_global)  HIKMICRO  [info@hikmicrotech.com](mailto:info@hikmicrotech.com)

Room 313, Unit B, Building 2, 399 Danfeng Road, Xixing Subdistrict, Binjiang District, Hangzhou, Zhejiang  
© Hangzhou Microimage Software Co., Ltd. All rights reserved. | Data subject to change without notice!